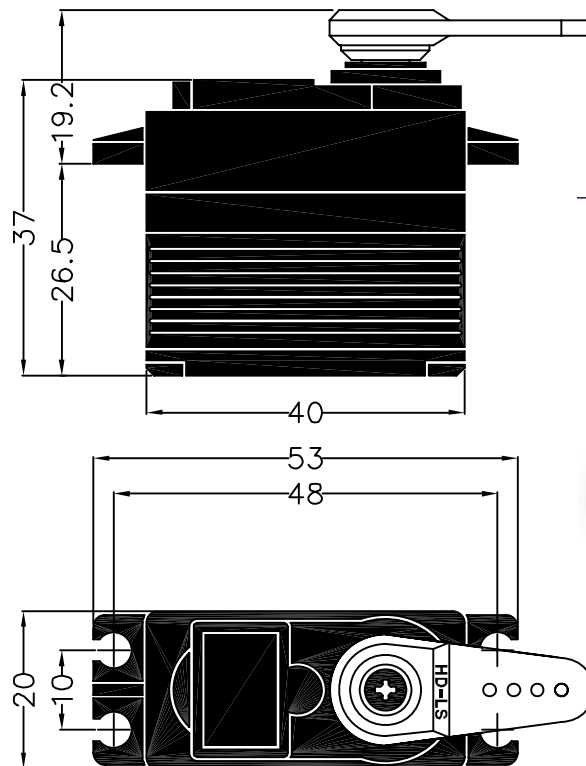


# GENERAL SPECIFICATION OF HS-7955TG CORELESS DIGITAL SERVO

## 1. TECHNICAL VALUE

CONTROL SYSTEM	: ±PULSE WIDTH CONTROL 1500usec NEUTRAL	
OPERATING VOLTAGE RANGE	: 4.8V TO 6.0V	
OPERATING TEMPERATURE RANGE	: -20° C TO +60° C (-68° F TO +140° F)	
TEST VOLTAGE	: AT 4.8V	AT 6.0V
OPERATING SPEED	: 0.19sec/60° AT NO LOAD	0.15sec/60° AT NO LOAD
STALL TORQUE	: 18kg.cm(249.96oz.In)	24.0kg.cm(333.29oz.In)
STANDING TORQUE	: 23.4kg.cm(324.95oz.In)/5° HOLD OUT	31.2kg.cm(433.27oz.In)/5° HOLD OUT
IDLE CURRENT	: 9mA AT STOPPED	
RUNNING CURRENT	: 220mA/NO LOAD RUNNING	
STALL CURRENT	: 3400mA	
DEAD BAND WIDTH	: 1usec	1usec
OPERATING TRAVEL	: 40±5° /ONE SIDE PULSE TRAVELING 400usec	
DIRECTION	: CLOCK WISE/PULSE TRAVELING 1500 TO 1900usec	
MOTOR TYPE	: CORELESS METAL BRUSH	
POTENTIOMETER TYPE	: 6 SLIDER/INDIRECT DRIVE	
AMPLIFIER TYPE	: DIGITAL AMPLIFIER WITH MOSFET DRIVE	
DIMENSIONS	: 40x20x37mm(1.57x0.78x1.45In)	
WEIGHT	: 65g(2.29oz)	
BALL BEARING	: DUAL/MR106	
GEAR MATERIAL	: TITANIUM ALLOY	
HORN GEAR SPLINE	: 24 SEGMENTS/φ5.76	
SPLINED HORNS	: HEAVY DUTY/HD-IS, HD-O, HD-LS, HD-IL, HD-LL	
CONNECTOR WIRE LENGTH	: 300mm(11.81In)	
CONNECTOR WIRE STRAND COUNTER	: 60EA	
CONNECTOR WIRE GAUGE	: 22AWG	



## 2. FEATURES

- PROGRAMMABLE DIGITAL AMPLIFIER WITH MOSFET DRIVE
- DURABLE TITANIUM ALLOY METAL GEARS WITH DUAL BALL BEARING
- ULTRA HARDNESS SHAFT WITH 3 AXIAL METAL BUSHING
- WATER & DUST TIGHT
- HEAT SINK FOR MOTOR

## 3. APPLICATIONS

- LARGE AIR PLANE MODELS