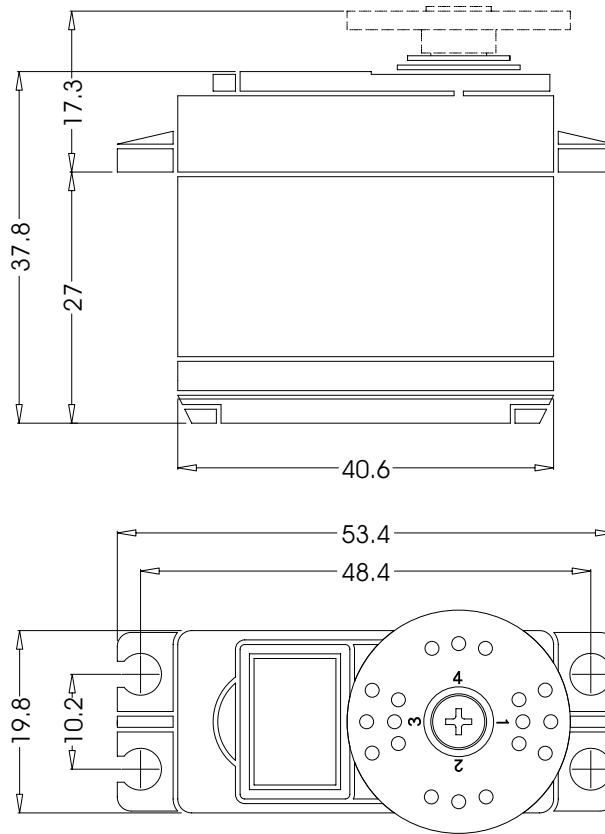


ANNOUNCED SPECIFICATION OF HS-645MG STANDARD DELUXE HIGH TORQUE SERVO

1. TECHNICAL VALUES

CONTROL SYSTEM	:+ PULSE WIDTH CONTROL 1500usec NEUTRAL	
OPERATING VOLTAGE RANGE	:4.8V TO 6.0V	
OPERATING TEMPERATURE RANGE	:-20 TO +60° C	
TEST VOLTAGE	:AT 4.8V	:AT 6.0V
OPERATING SPEED	:0.24sec/60° AT NO LOAD	:0.2sec/60° AT NO LOAD
STALL TORQUE	:7.7kg.cm(106.93oz.in)	:9.6kg.cm(133.31oz.in)
OPERATING ANGLE	:45°/ONE SIDE PULSE TRAVELING 400usec	
DIRECTION	:CLOCK WISE/PULSE TRAVELING 1500 TO 1900usec	
IDLE CURRENT	:8.8mA	:9.1mA
RUNNING CURRENT	:350mA	:450mA
DEAD BAND WIDTH	:8usec	
CONNECTOR WIRE LENGTH	:300mm(11.81in)	
DIMENSIONS	:40.6x19.8x37.8mm(1.59x0.77x1.48in)	
WEIGHT	:55.2g(1.94oz)	



2. FEATURES

- 3-POLE FERRITE MOTOR
- DUAL BALL BEARING
- LONG LIFE POTENTIOMETER
- 3-METAL GEARS & 1-RESIN METAL GEAR
- HYBRID I.C

3. APPLICATIONS

- AIRCRAFT TO 1/4 SCALE
- 30 TO 60 SIZE HELICOPTERS
- STEERING AND THROTTLE FOR 1/10TH & 1/8TH ON-ROAD AND OFF-ROAD VEHICLES